



360VISION TECHNOLOGY

PREDATOR ULTRA

Product Brochure

Featuring 1/1.9" Sony HD
Technology for incredible colour
or mono images at night



**DESIGNED AND
MANUFACTURED
IN THE UK**





Product Brochure

PREDATOR ULTRA



1/1.9" SENSOR FOR
ULTRA LOW LIGHT
PERFORMANCE

High Speed High Definition Ruggedised Pan, Tilt and Zoom Camera

UK Manufacture
Designed and Manufactured in the UK.

Paint Colour Options
Any colour, any quantity.

Attack Detect Feature
Predators will automatically return to their original position if physically moved/attacked.

Protocols
ONVIF 'S' compliant or 360SDK, see our web site for the many compatible VMS systems.

Intelligent Lighting control
Illumination automatically adjusts the lighting intensity to ensure the highest quality images under variable lighting conditions.

Illumination
Full range of Dual IR & White Light options. Up to 550 metres of IR lighting and up to 250 metres of white light giving 'COLOUR VIDEO at NIGHT'. Sirius illumination combines narrow, medium and wide angle lenses to give a wide range of light spread (from 9° to 45°). Choice of standard IR 850nm or covert 940nm available.

IP68 Certification
IP68 certified for the harshest environments.

360 Enhanced Low Light cameras
360 Enhanced low light cameras with mono video images as low as 0.0002 lux (no illumination)

Built in EDGE recording option - 128 or 256Gb Storage on board
Continuous/FTP Upload/Network Loss/Alarm Scheduled recording option to On Board Storage.

Privacy Zones
24 privacy zones are available with simple joystick positioning and sizing.

POE
Predator ULTRA available as a POE version, with Sirius illumination up to SIR140WL.

Maritime Paint
10 year maritime paint option.

Warranty
3 year warranty



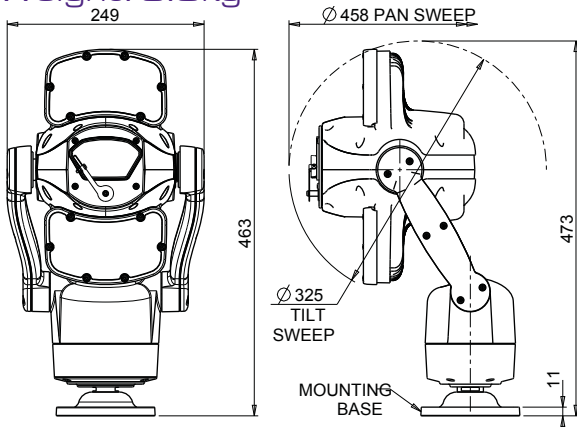
Dual lamp unit shown (covers SIR250SW and SIR275 products), other colours available.



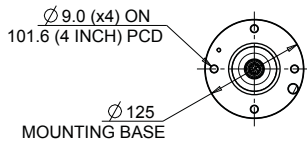
PREDATOR ULTRA



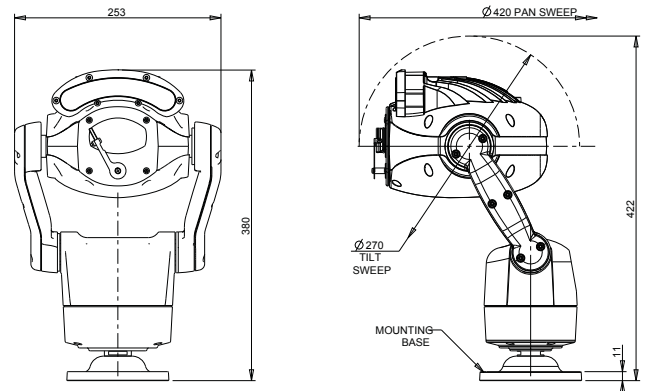
Predator
High Intensity Long Range LED array
Weight: 8.5kg



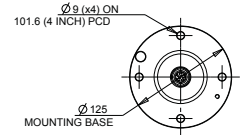
Covers SIR400 and SIR550S Spot product.



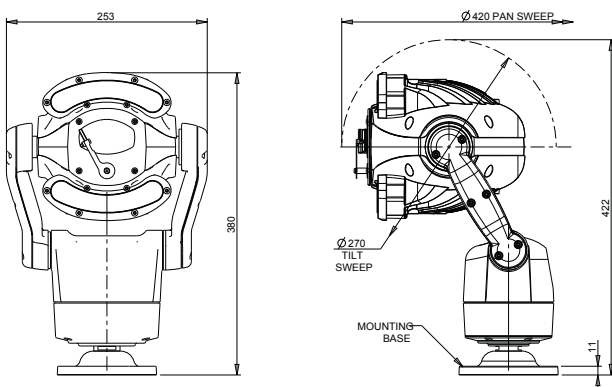
Predator
High Intensity Single LED array
Weight: 8kg



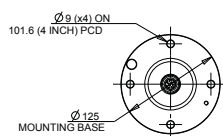
Covers SIR 110, SIR160 and SIR 140WL products.



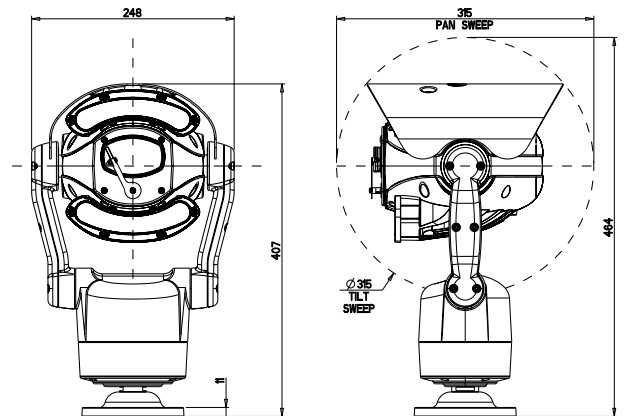
Predator
High Intensity Dual LED array
Weight: 8.5kg



Covers SIR250SW, 250SWL and SIR275 products.

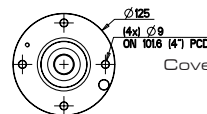


Predator
High Intensity Dual LED array
Weight: 8.9kg



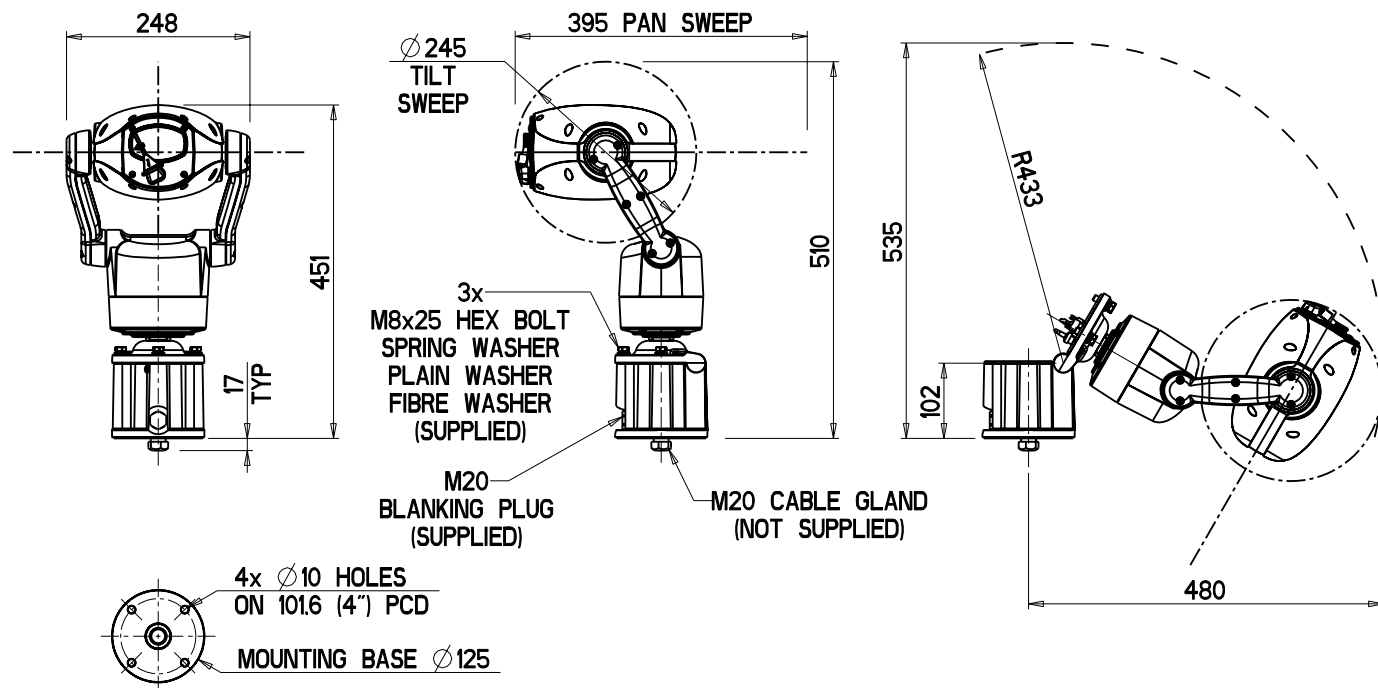
Straight Arm version
c/w Sunshield

Covers SIR250SW, 250SWL and SIR275 products.



HMA (Hinged Mount Adapter)

Weight: 9.5kg



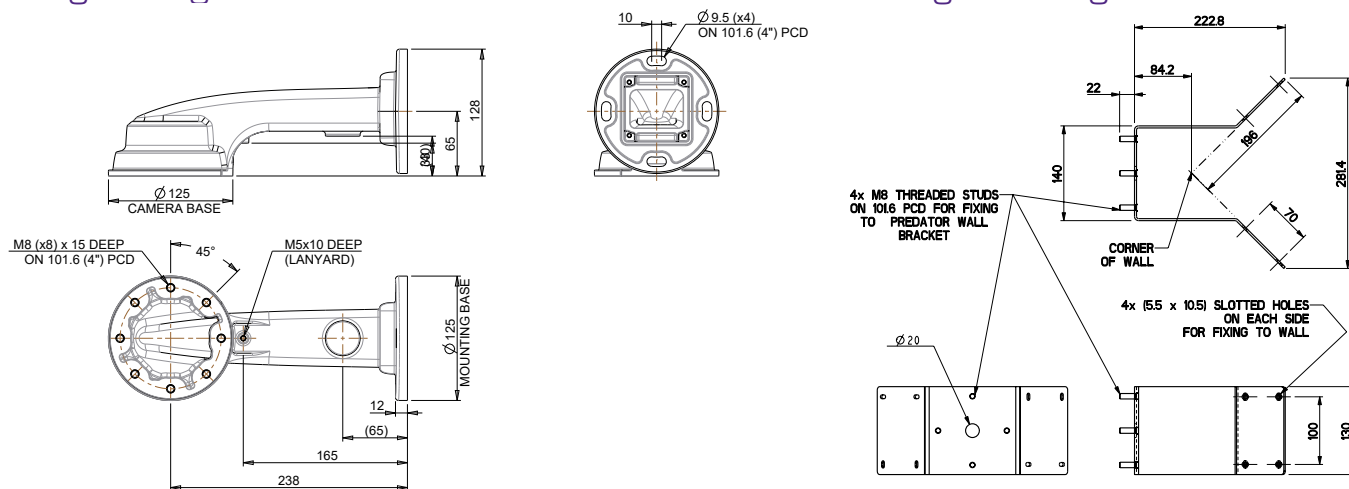
PREDATOR ULTRA Bracketry

Wall Bracket

Weight: 1 kg

Corner Bracket

Weight: 2.2kg

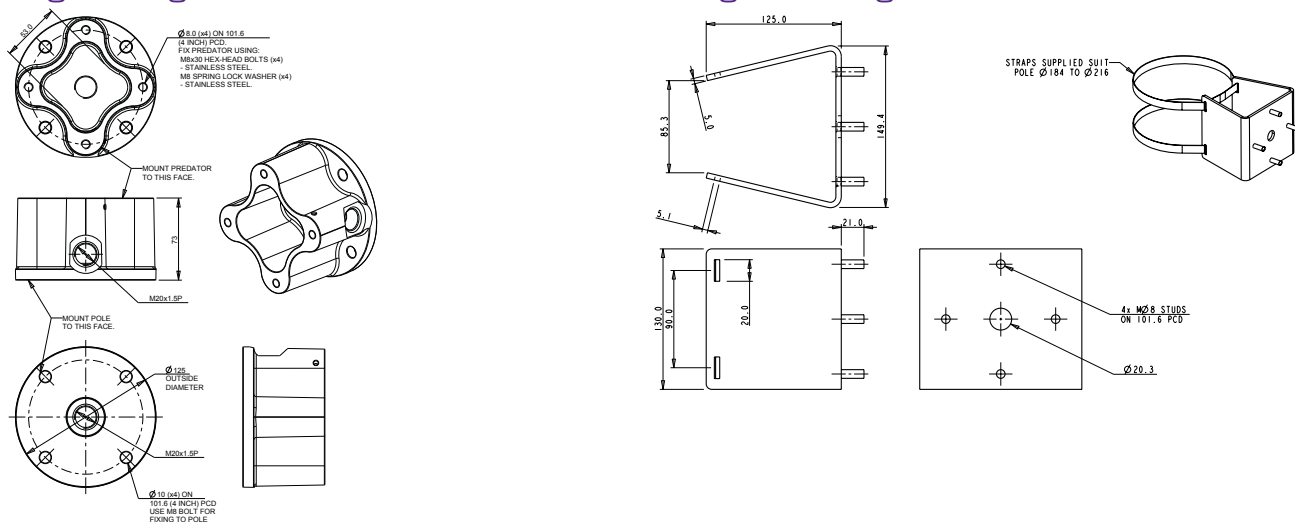


Pole Mount Adapter (PMA)

Weight: 1 kg

Pole Mount Bracket (PMB)

Weight: 2.5kg



PRODUCT SPECIFICATION	30x HD ULTRA	40x HD ULTRA	
Colour/Mono	Yes	Yes	
Imager (CMOS)	1/1.9" Sony Exmor	1/1.9" Sony Exmor	
Zoom - Optical + Digital	30x, 12x	40x, 12x	
Zoom - Total	360x	480x	
Pixels (Effective)	Approx 2.38 Megapixels	Approx 2.38 Megapixels	
Horizontal view angle	61.2°(W) - 2.32°(T)	60°(W) - 1.8°(T)	
Lens Size	6 - 180mm	6 - 240mm	
Min Sensitivity - colour	0.002 Lux	0.002 Lux	
Min Sensitivity - mono Int	0.0002 Lux	0.0002 Lux	
Signal Noise Ratio	>50dB	>50dB	
Picture Flip	Yes	Yes	
Picture Freeze	Yes	Yes	
PRODUCT FEATURES	ALL PREDATOR units have the following functions		
Focus/Iris	Auto/Manual		
Presets	360		
Tours	4 (max 90 presets per tour)		
Learned Patrols	4 mimic tours - up to 30 minutes duration each		
Privacy Zones	Up to 24		
Variable pan speed/coverage	0.1 - 120°/sec, 360° continuous rotation, absolute positioning		
Variable tilt speed/coverage	0.1 - 120°/sec, 180°, absolute positioning		
Auto Homing	Goes to preset, tour or mimic tour after prescribed time		
Col/Mono Changeover	4 levels - 3 fixed, 1 custom/user defined		
Operating temperature	-50°C to +60°C with optional heater		
Power	24vac/30vdc		
Power POE	82 watts maximum		
Mounting options	Wall, Corner, Pole and Soffit		
Certification	CE & FCC approval; Ingress IP68; Impact IK10; Vibration & Shock certified approvals		
SIRIUS ILLUMINATION	IR & WHITE LIGHT (Nominal)	Standard Paint Options	RAL
SIR110	IR 110 metres	Black	9005
SIR160	IR 160 metres	White	9003
SIR140WL	IR 140 metres, WL 140 metres	Cool Grey	7035
250SWL	WL 250 metres	Mid Grey	7001
SIR250WL	IR 250 metres, WL 250 metres		
SIR275	IR 275 metres		
SIR400	IR 400 metres		
SIR550S Spot	IR 550 metres		
WEIGHTS			
Predator (No LED's)	7.5kg		
Predator (Single LED array)	8kg		
Predator (Dual LED array)	8.5kg		
Predator (HMA, No LED's)	9.5kg		
Predator (Dual Long Range)	8.5kg		
CODEC	25fps	ASPECT	30fps
HD1080p	1920x1080	16:9	1920x1080
HD720p	1280x720	16:9	1280x720
D1	720x576	4:3	720x480
VGA	640x480	4:3	640x480
QVGA	432x240	16:9	432x240
Distribution	Multi Codec 2 streams		
Image Compression	H.264, MPEG4, MJPEG		
Protocols	ONVIF (S), TCP/IP, HTTP, HTTPS, RTP, RTSP, 360SDK, QoS		
Compression levels	CBR, VBR CVBR		

HMA: Hinged Mounting Adapter



Hinged Mounting Adapter (HMA) is designed to assist in the installation of the Predator allowing access to the cable connections 'hands free'.

Installers can now install the Predator using standard cables, so no need for pre-made cables. Enabling the Predator to be positioned up to 100 metres from the power supply (dependent on Predator/cable specification).

All trademarks are used courtesy of registered owners. PREDATOR ULTRA is a registered trademark of 360 Vision Technology Ltd. The manufacturer reserves the right to change specifications without notice.



360 Vision Technology Ltd
 Unit 7 Seymour Court
 Manor Park
 Runcorn
 Cheshire WA7 1SY
 Tel: +44 (0)870 903 3601 Fax: +44 (0)870 903 3602
 info@360visiontechnology.com
 www.360visiontechnology.com





360VISION
TECHNOLOGY